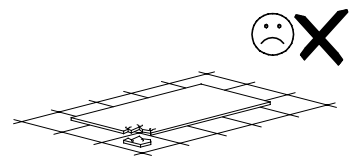
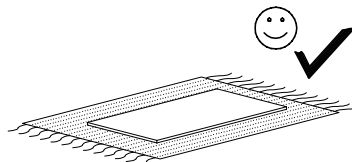
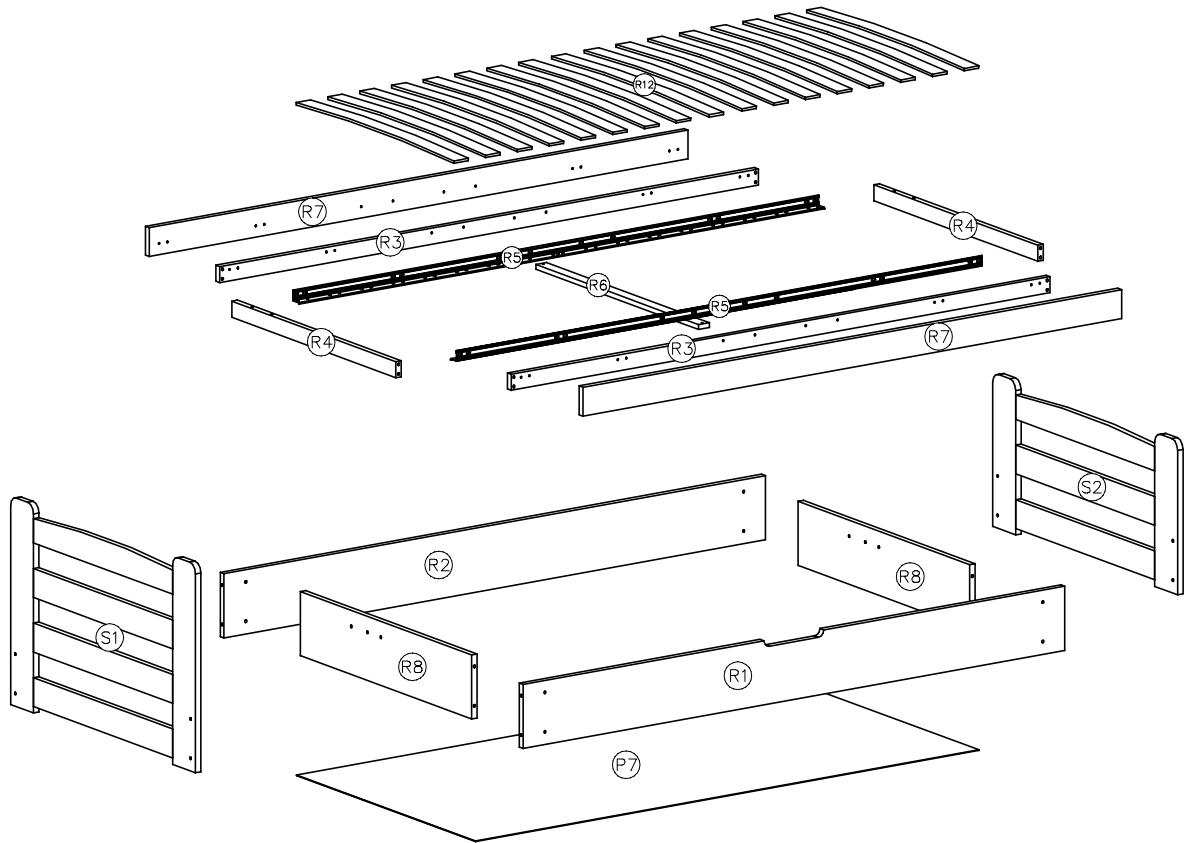
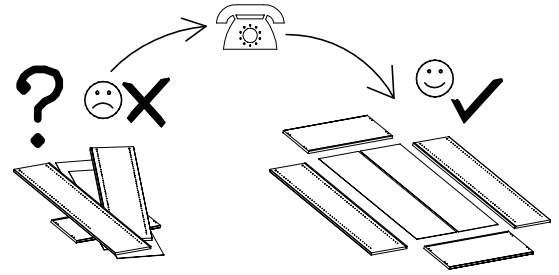
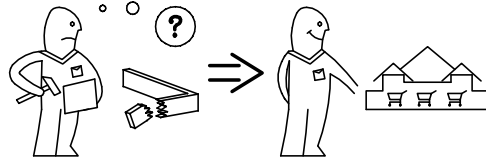
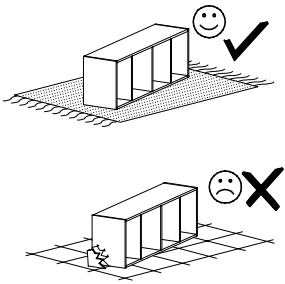

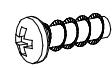
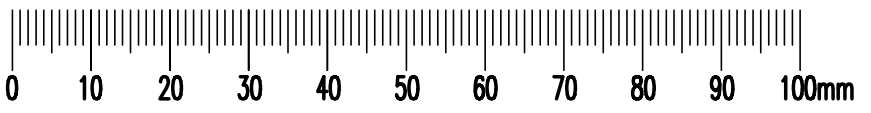

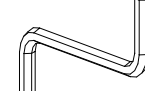

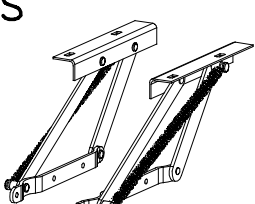
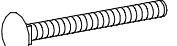
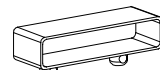

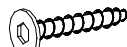

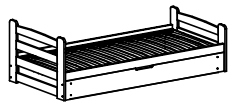


1,5h

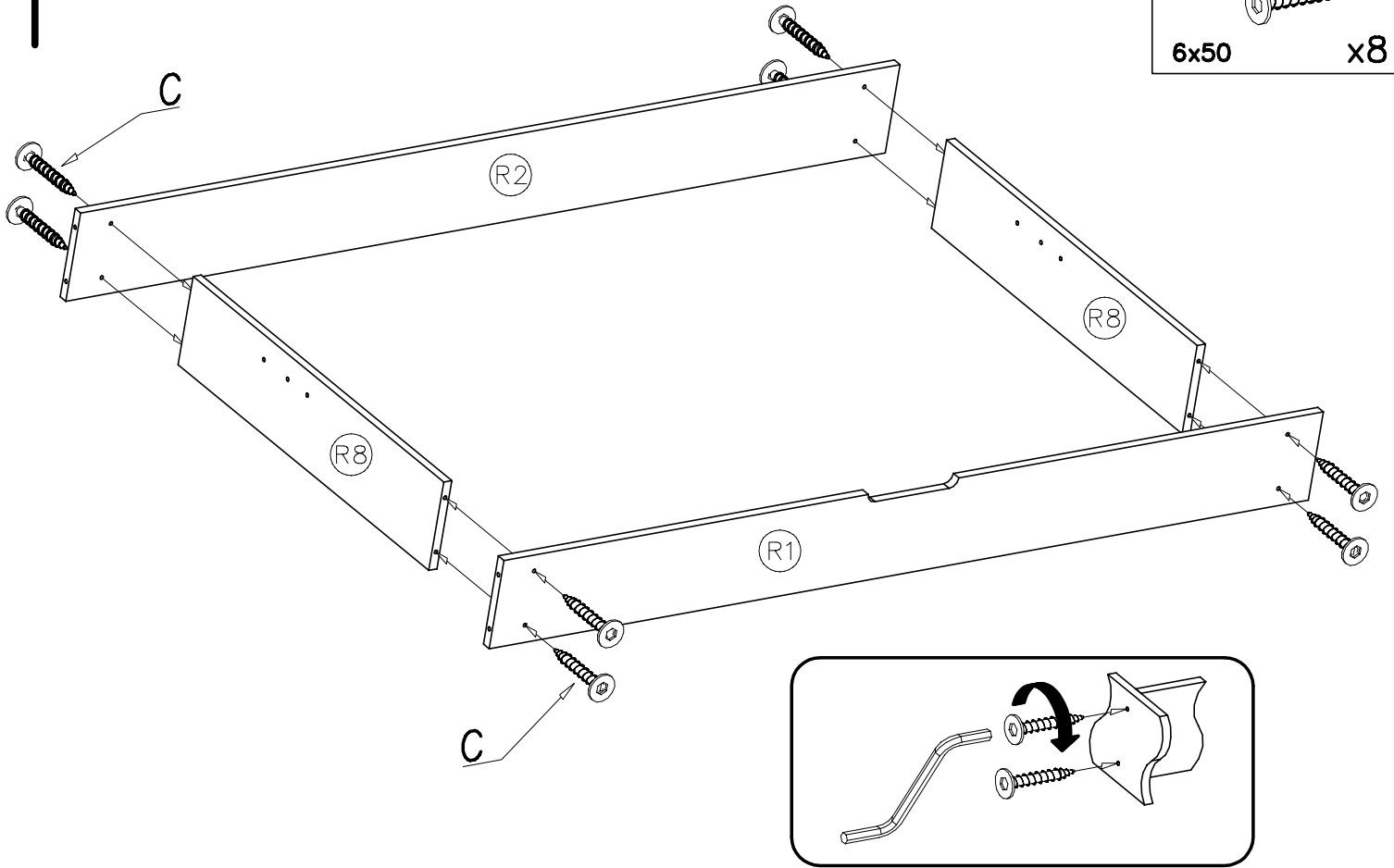




<p>A</p>  <p>∅7x50 x8</p>	<p>E1</p>  <p>6x13 x2</p>			
<p>E2</p>  <p>6x35 x24</p>	<p>G</p>  <p>x1</p>	<p>J</p>  <p>x40</p>	<p>S</p>  <p>x1</p>	<p>H</p>  <p>M6x65 x4</p>
<p>M</p>  <p>x34</p>	<p>T</p>  <p>x10</p>	<p>C</p>  <p>6x50 x16</p>	<p>K</p>  <p>M6x35 x6</p>	

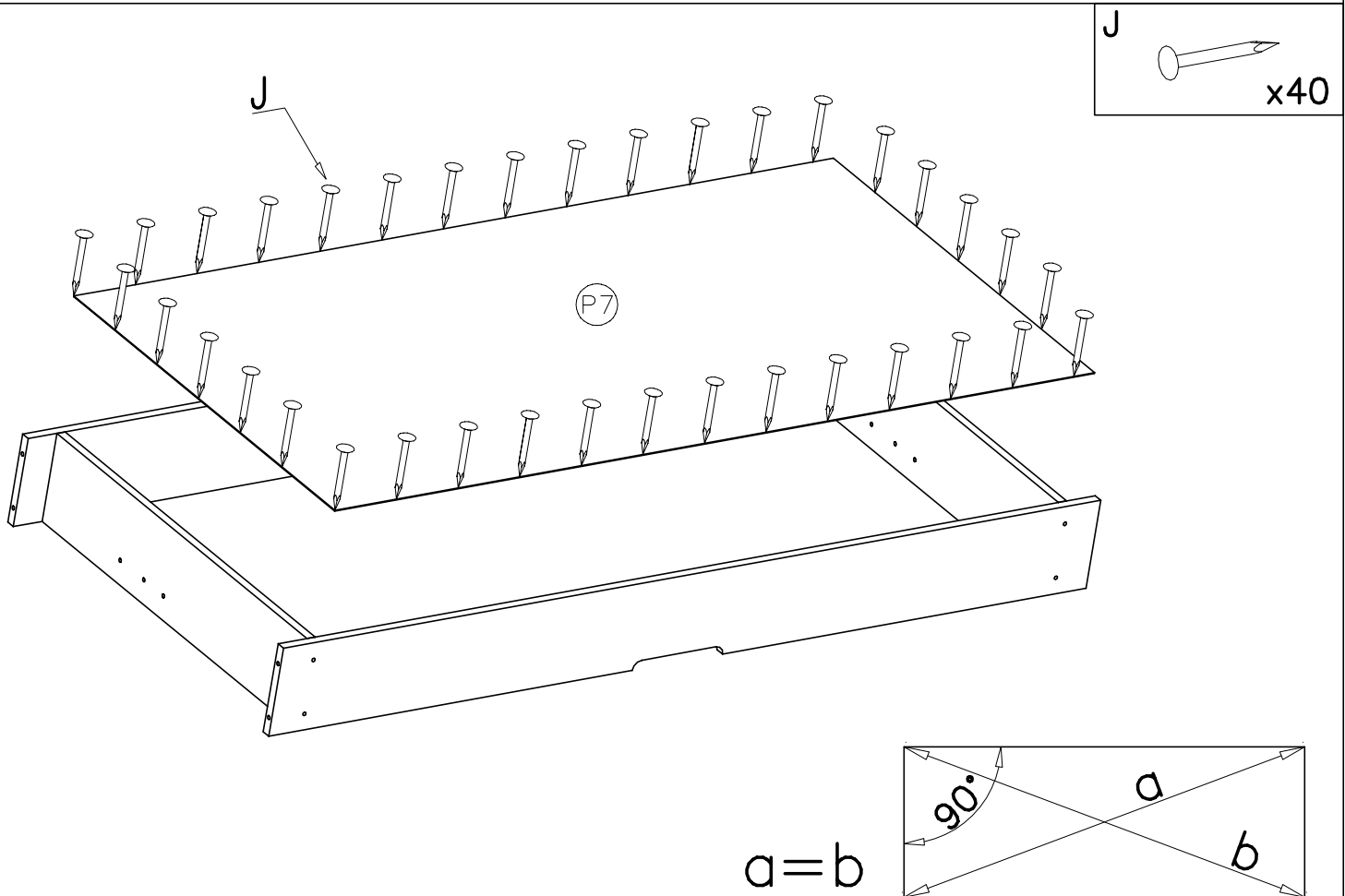


I



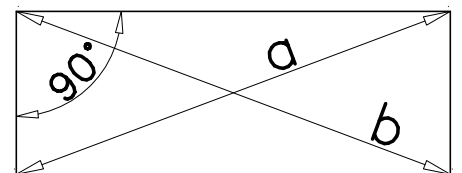
C
6x50 x8

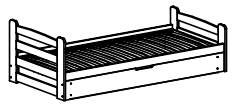
II



J
x40

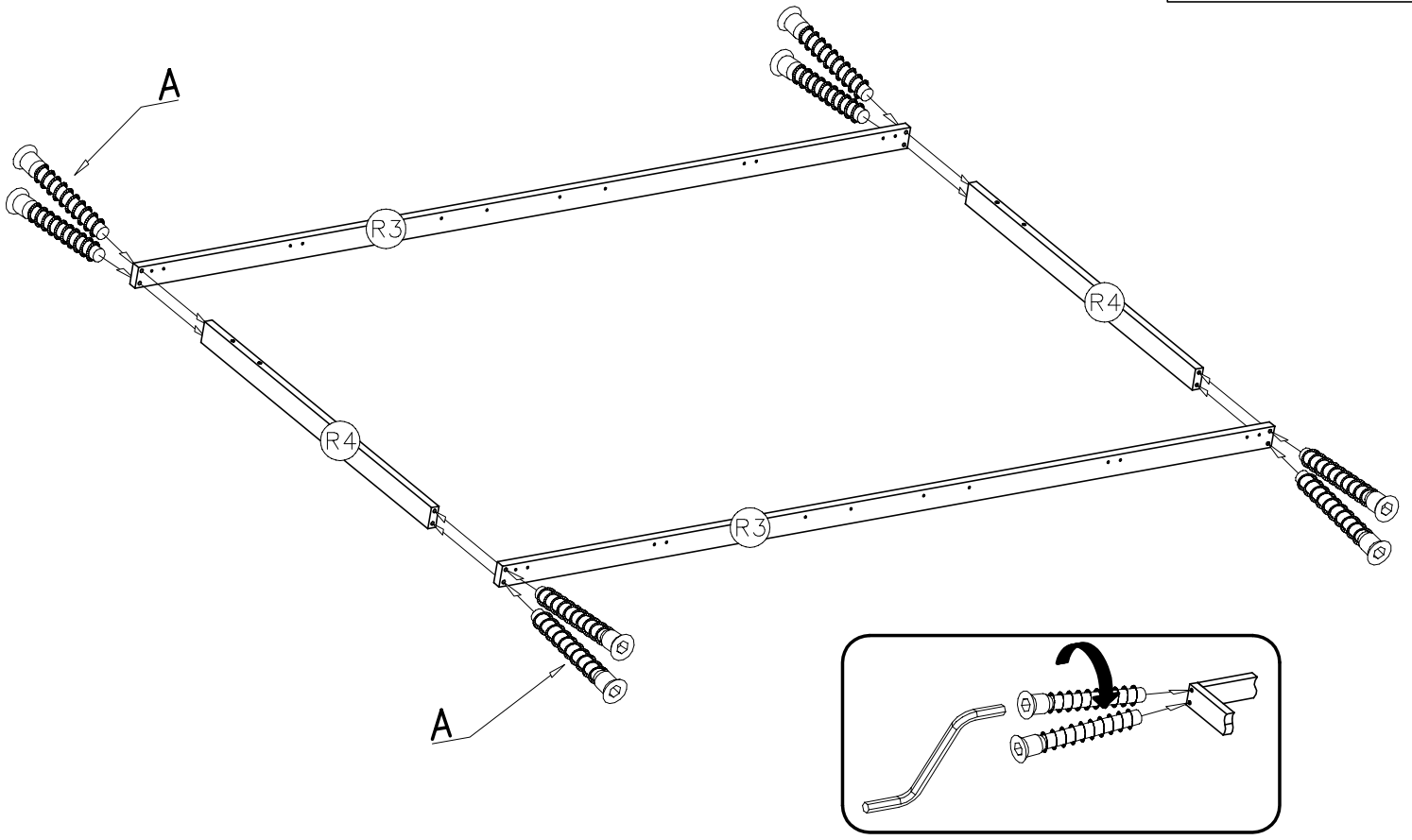
a=b





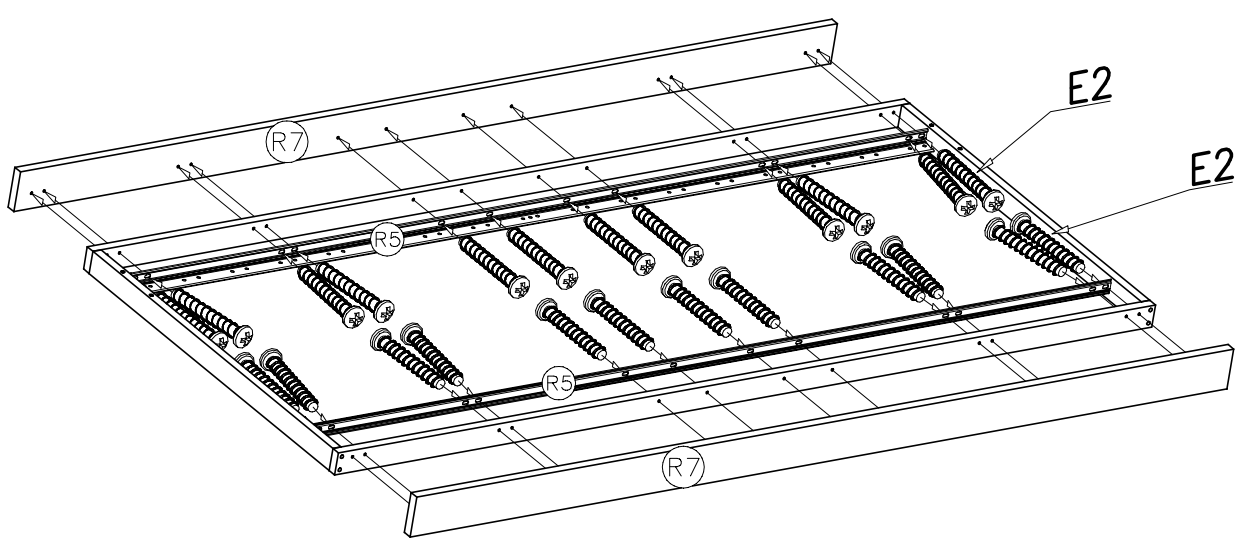
III

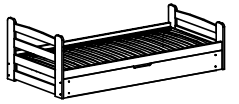
A
ø7x50 x8



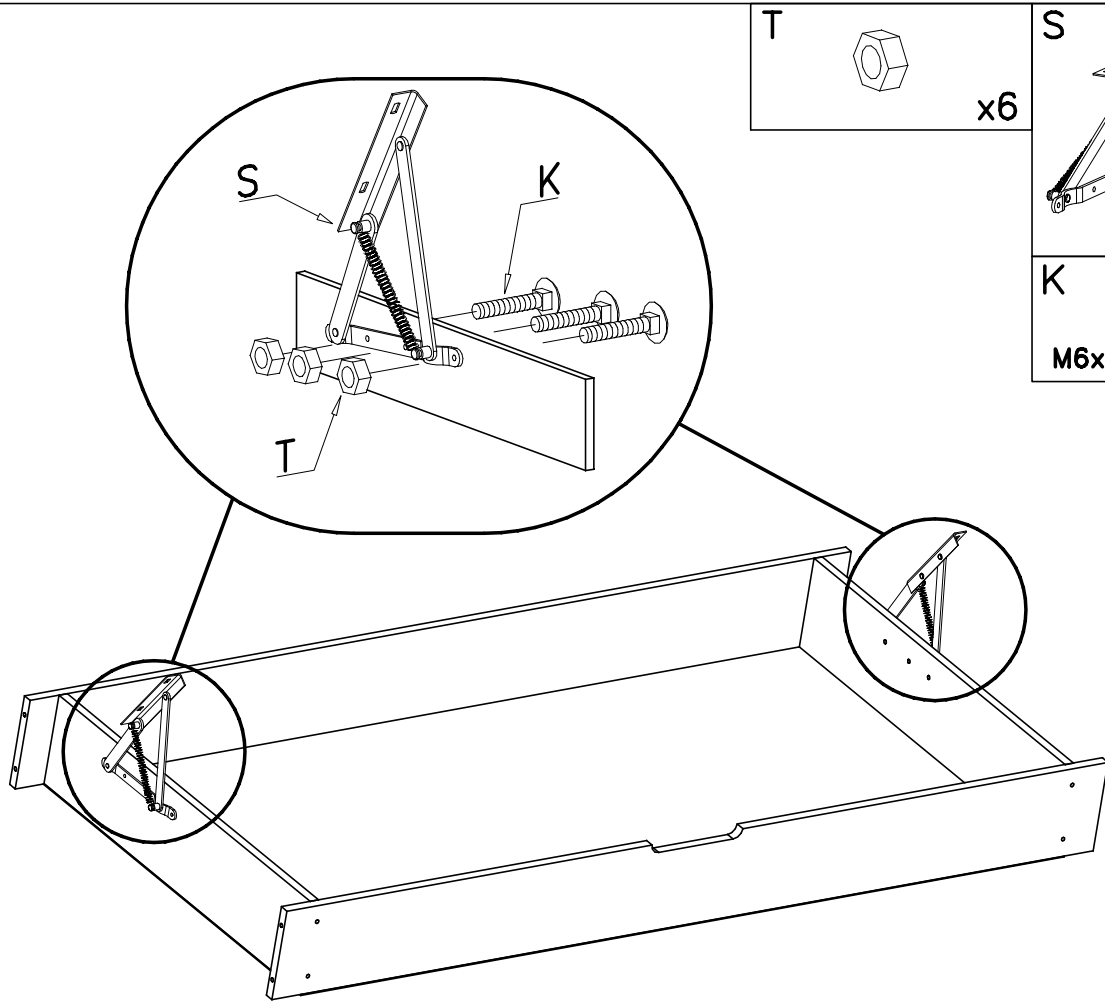
IV


E2
6x35 x24

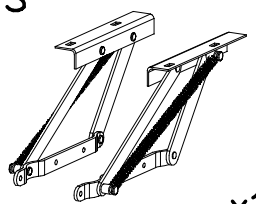


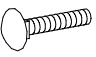


V

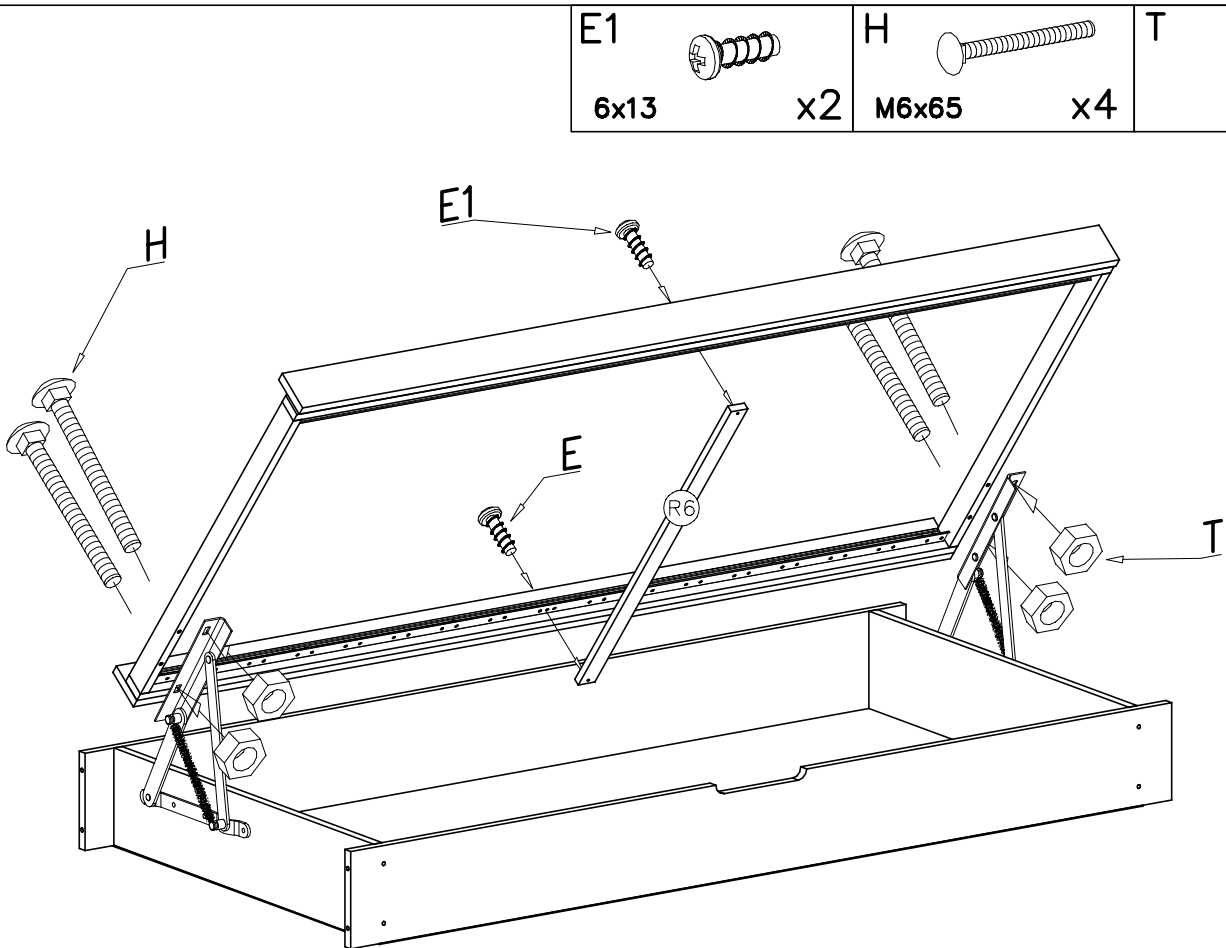



T  x6

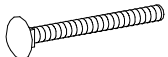
S  x1


K  M6x35 x6

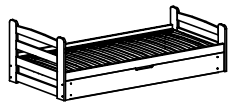
VI



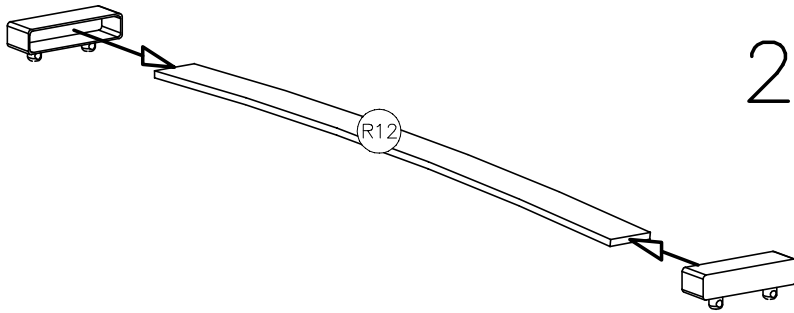
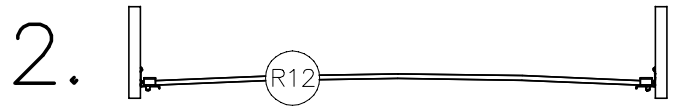
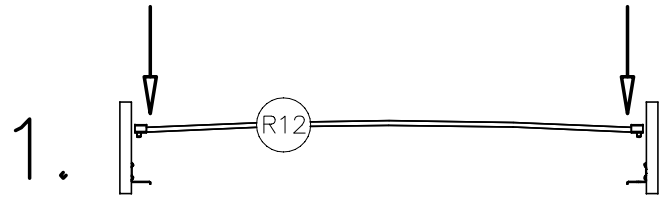
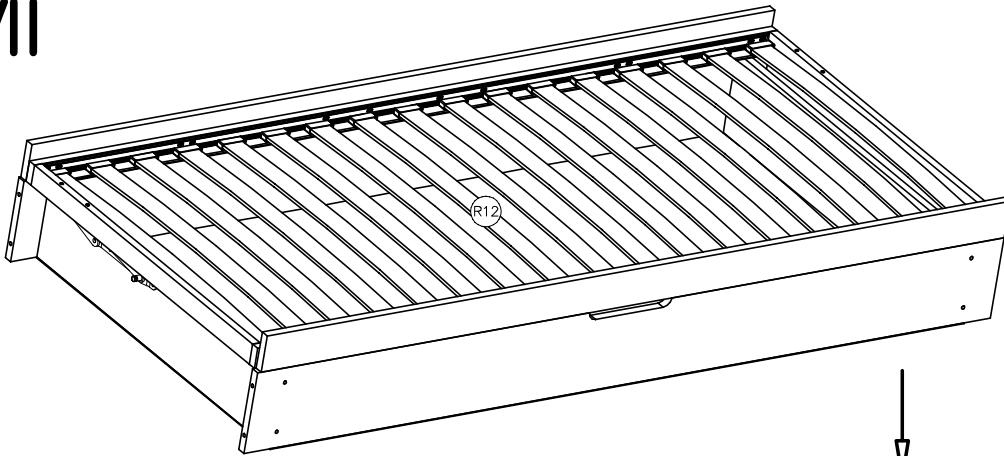
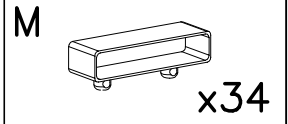
E1  6x13 x2

H  M6x65 x4

T  x6



VII



VIII

