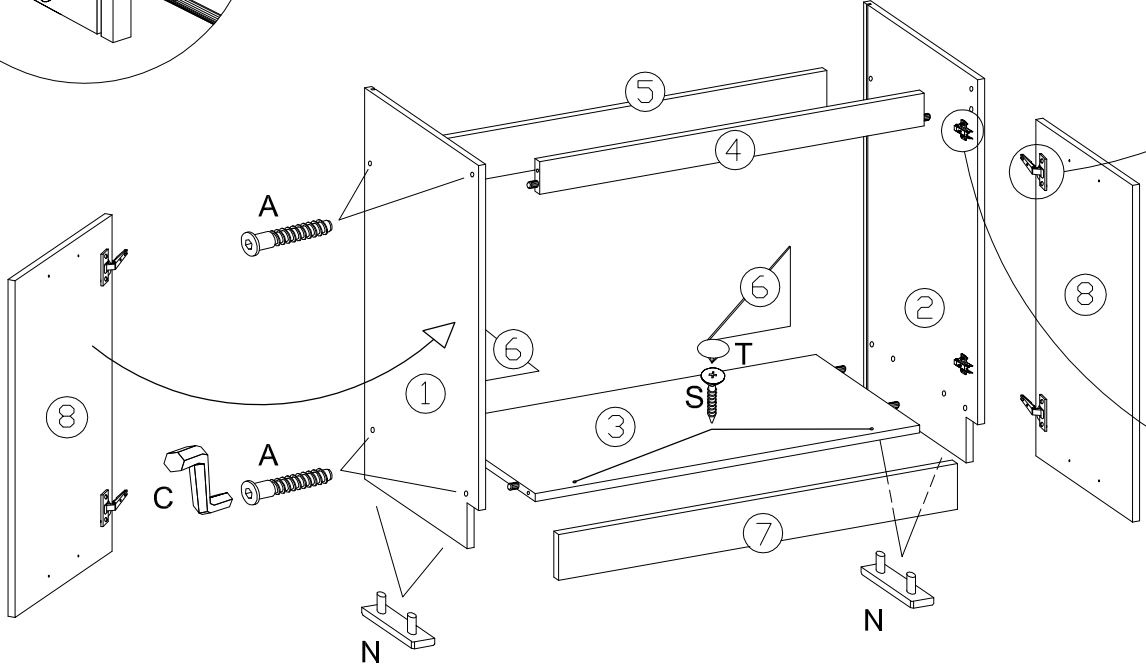
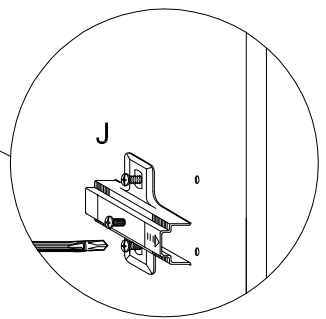
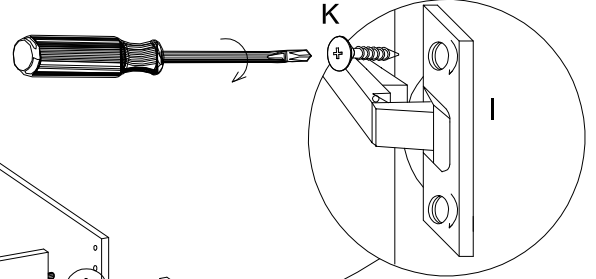
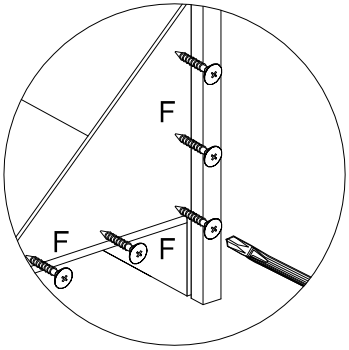
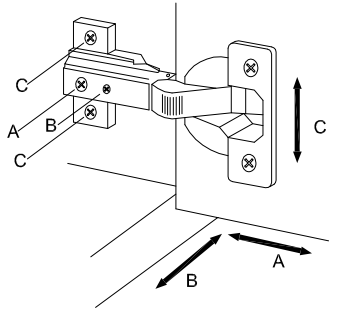
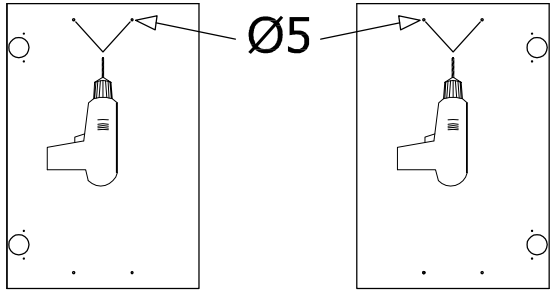
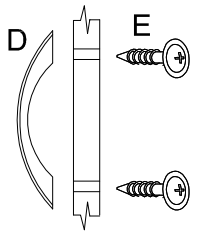
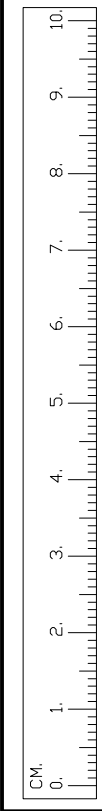
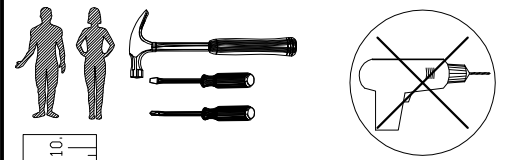
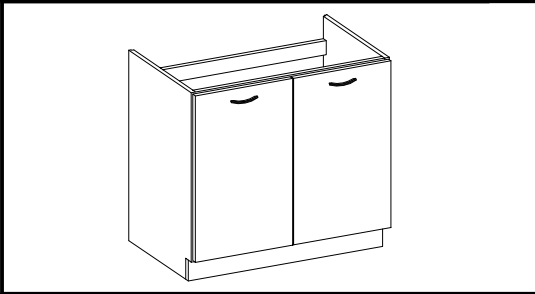

8	8	1	2	4	10-15	4	4	8	4	2	2



We regret to inform you, that in case complaint process give no result, and no missing and open elements.