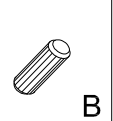
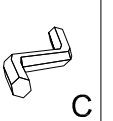
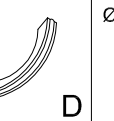
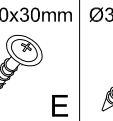
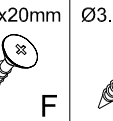
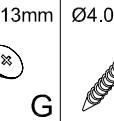
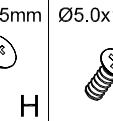
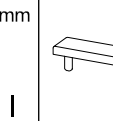
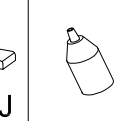
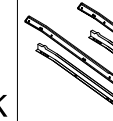


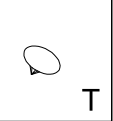
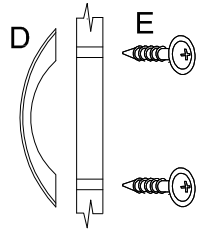
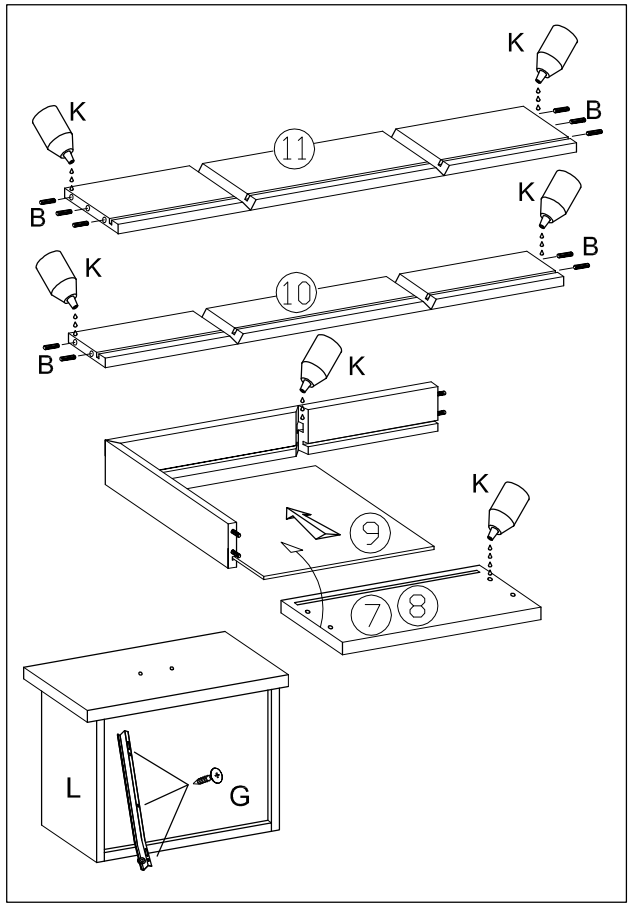
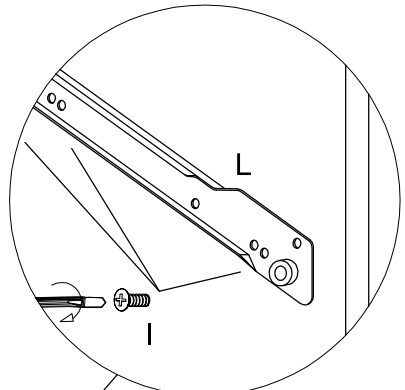
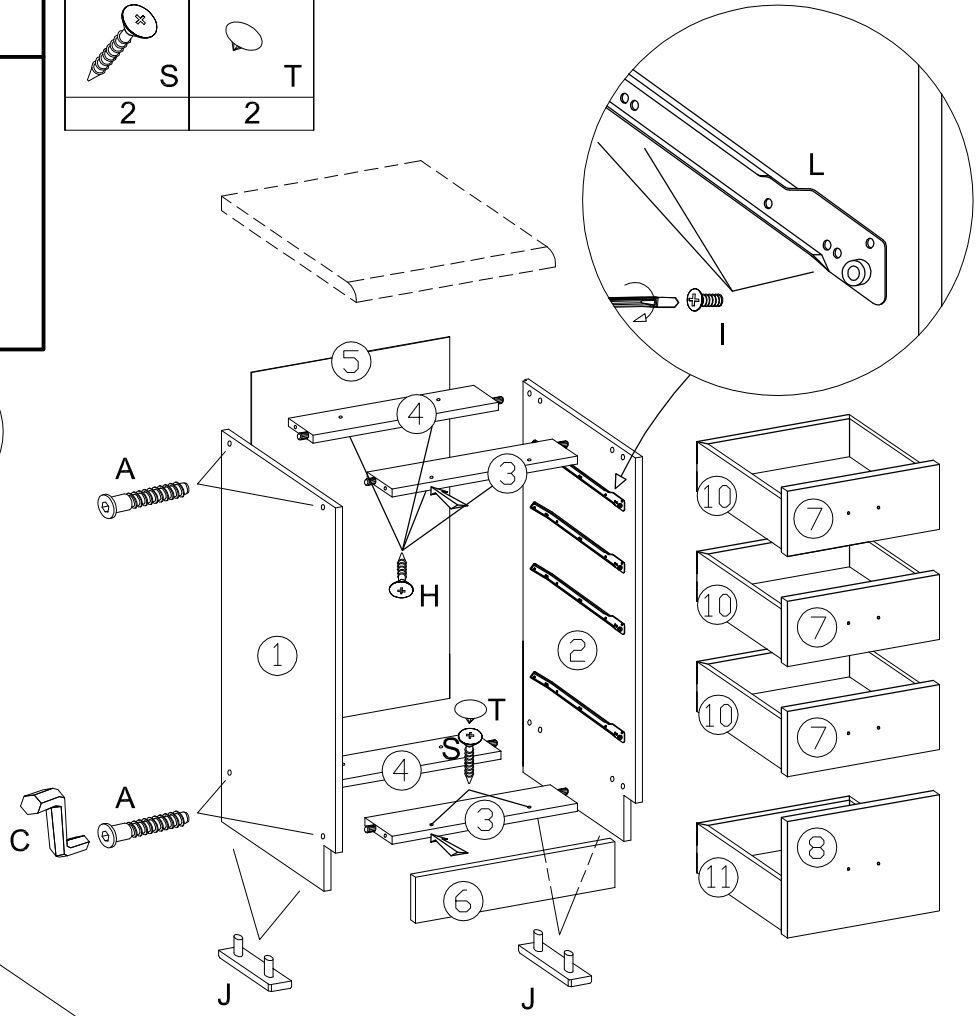
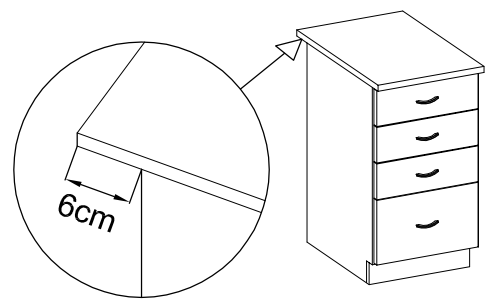
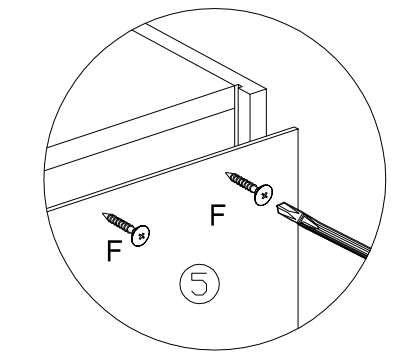
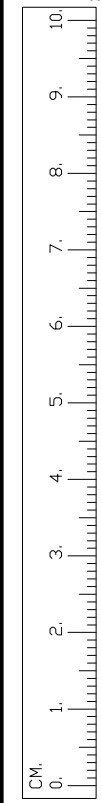
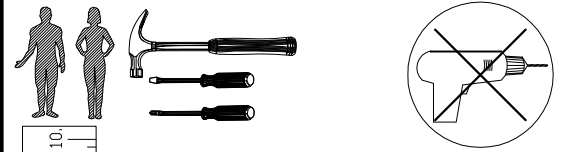
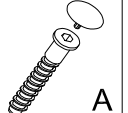
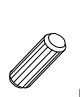
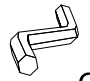




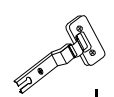
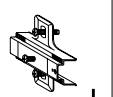

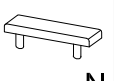

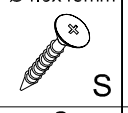

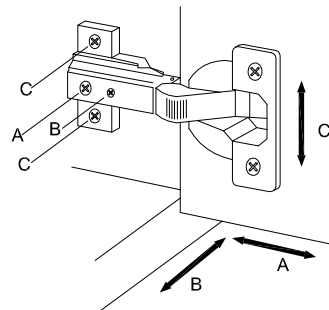
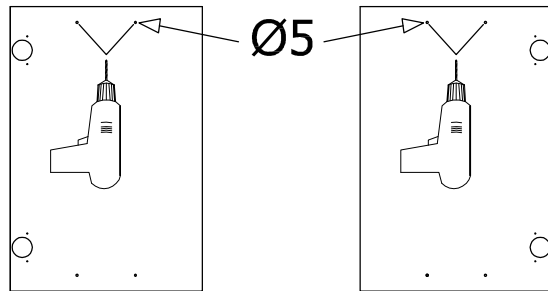
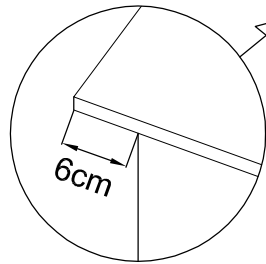
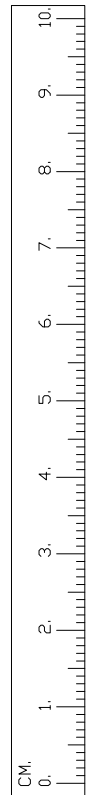
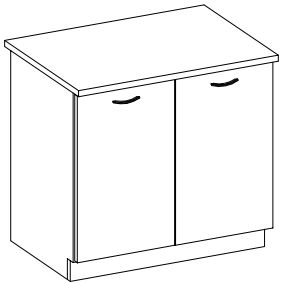
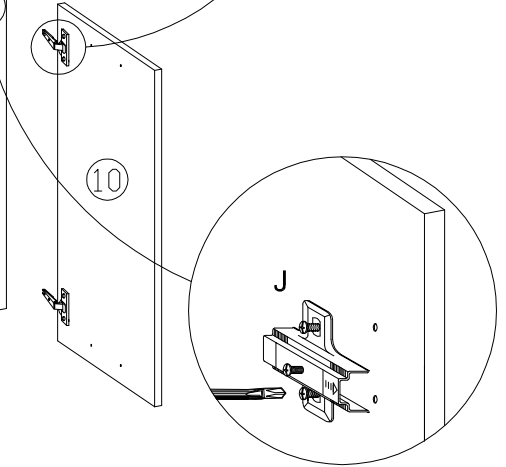
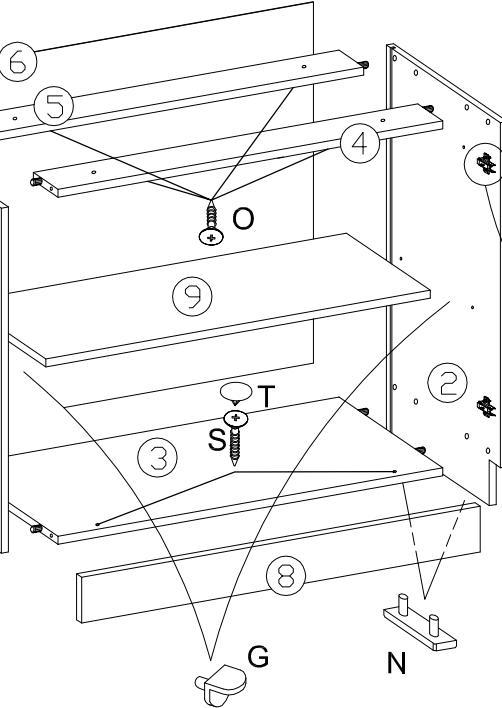
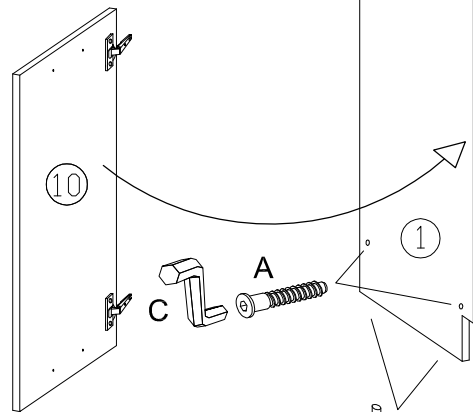
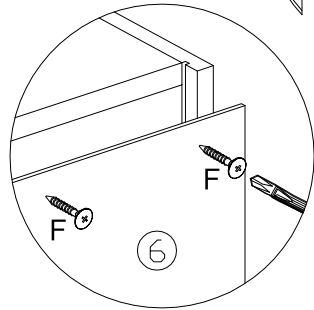
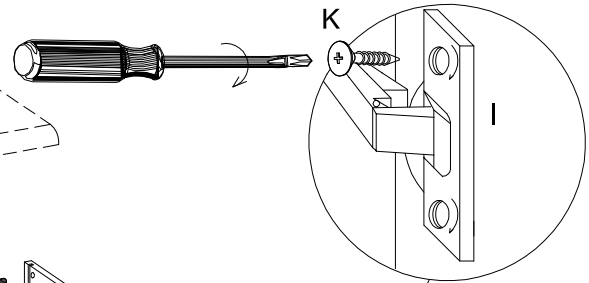
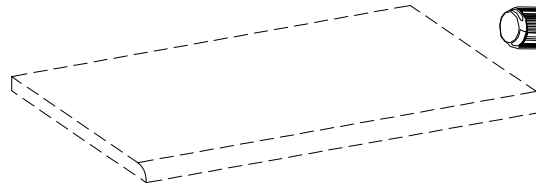
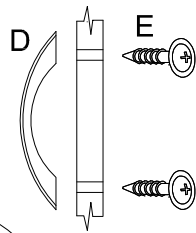
 A	 B	 C	 D	 E	 F	 G	 H	 I	 J	 K	 L
8	26	1	4	8	15-20	24	4	24	4	1	4
 S		 T									
2		2									

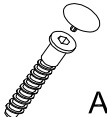
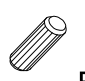




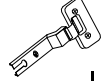
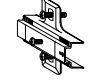

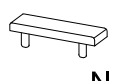




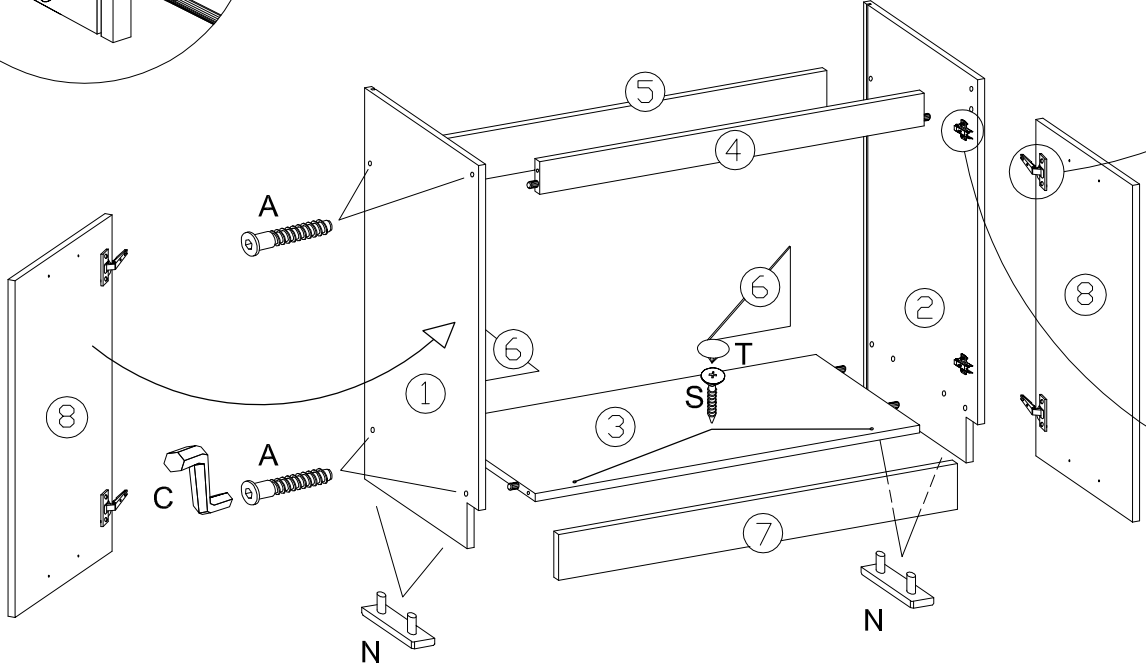
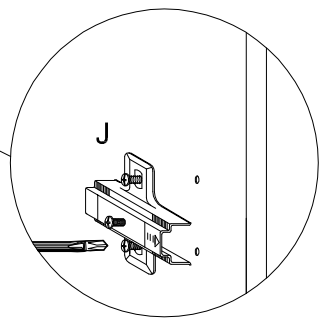
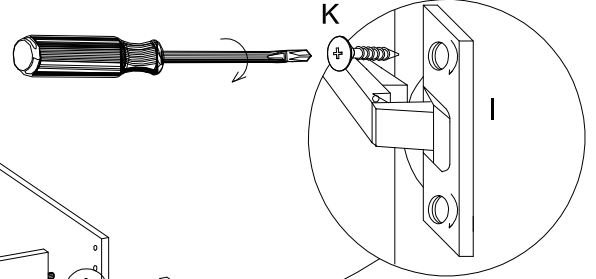
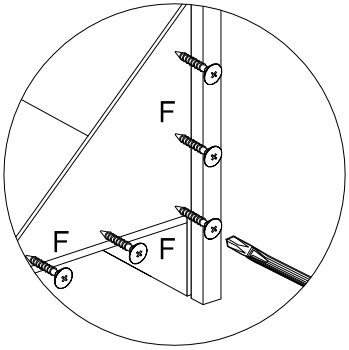
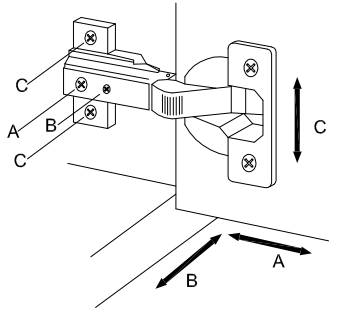
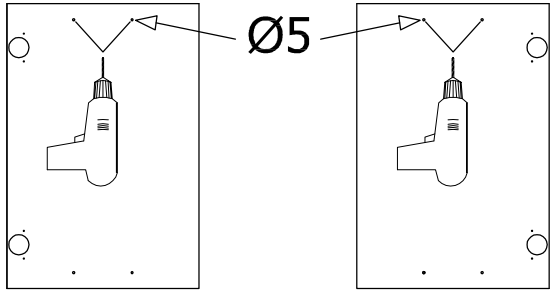
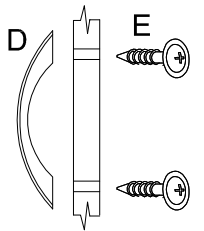
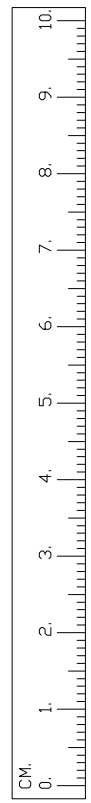
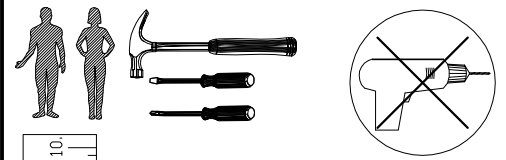
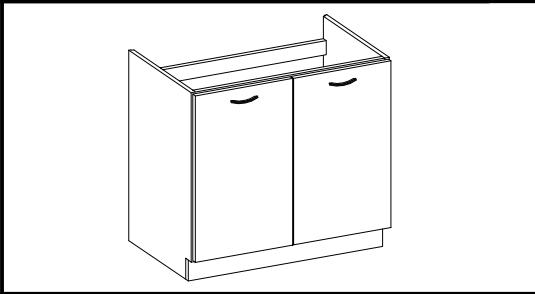
 A	 B	 C	 D	 E	 F	 G	 I	 J	 K	 N	 O
8	8	1	2	4	15-20	4	4	4	8	4	4

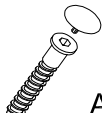
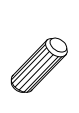
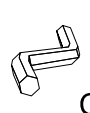




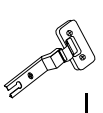
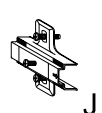

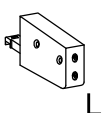

 S	 T
2	2

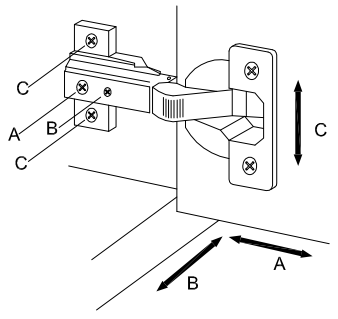
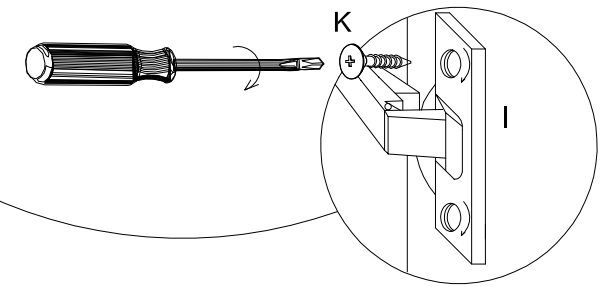
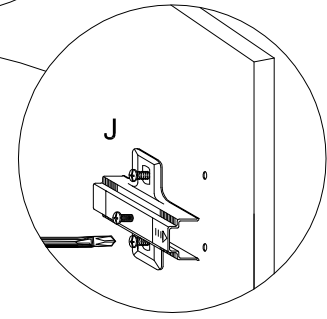
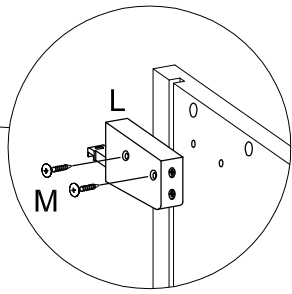
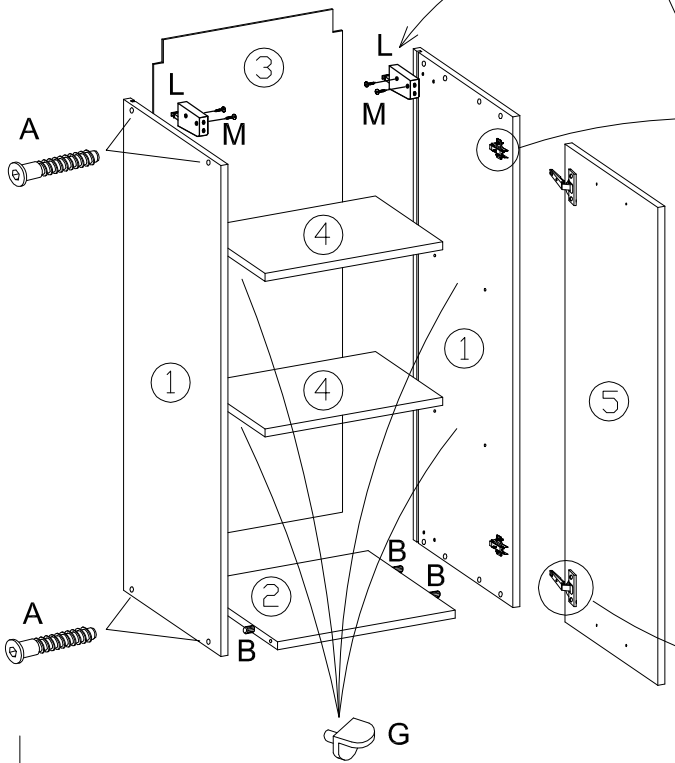
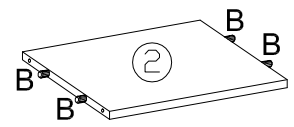
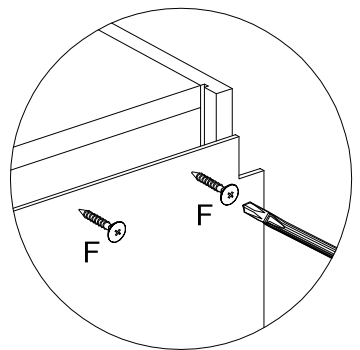
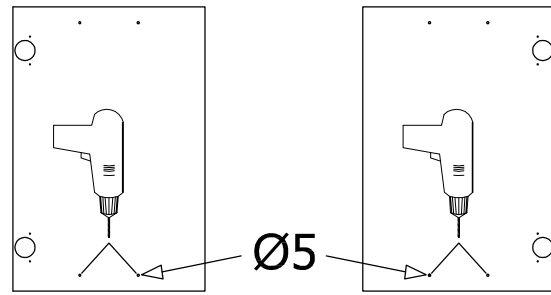
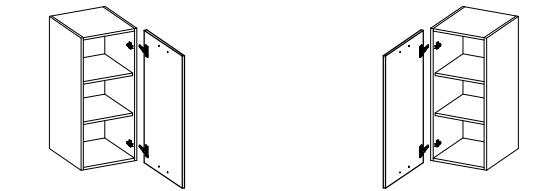
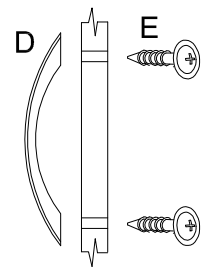
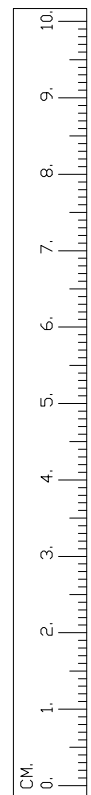
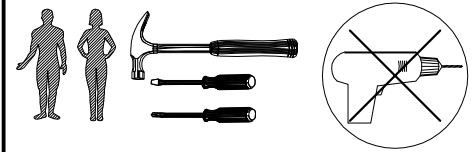
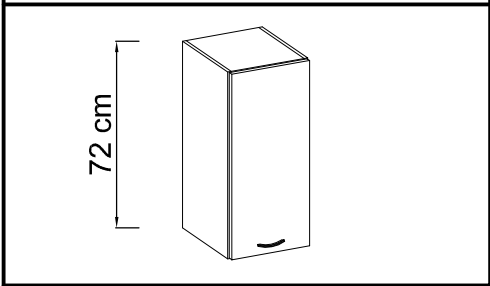



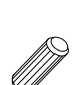
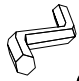




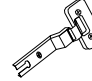
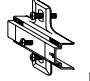

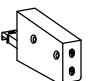

We regret to inform you, that in time complaint please give the packer and the missing and spare element.

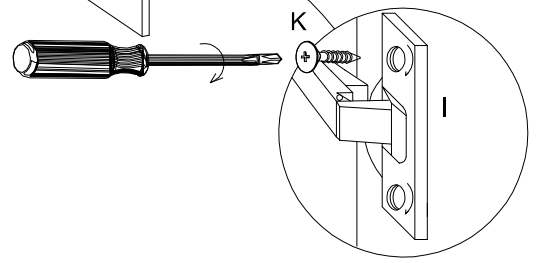
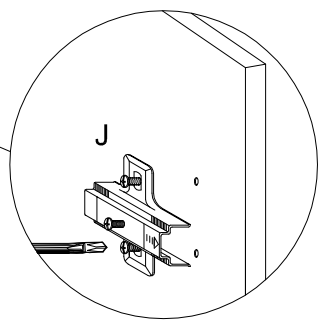
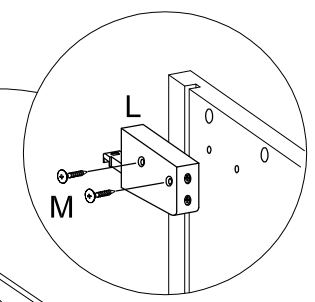
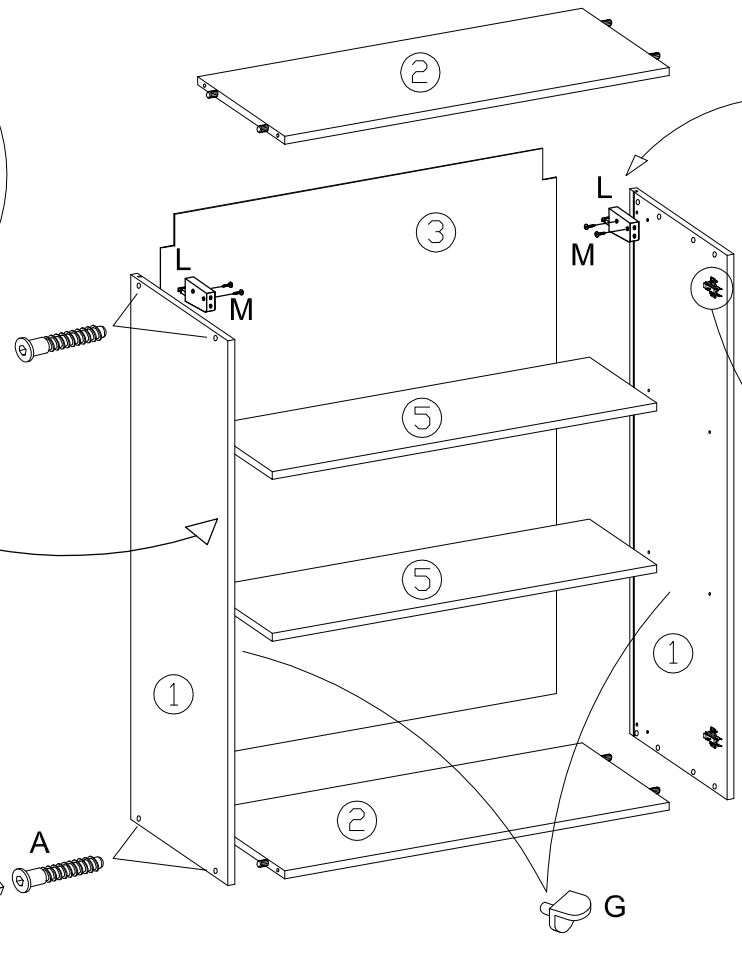
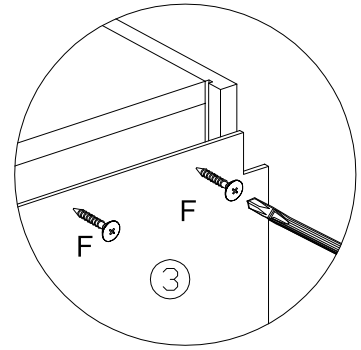
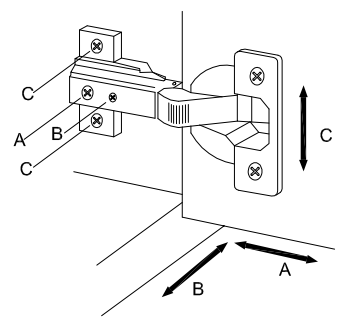
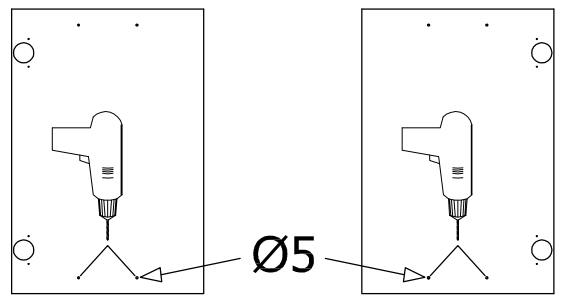
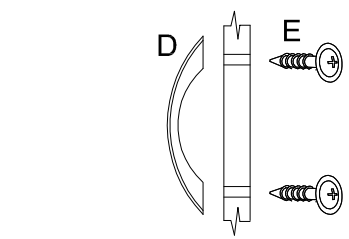
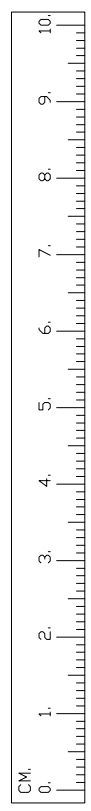
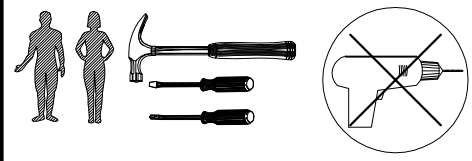
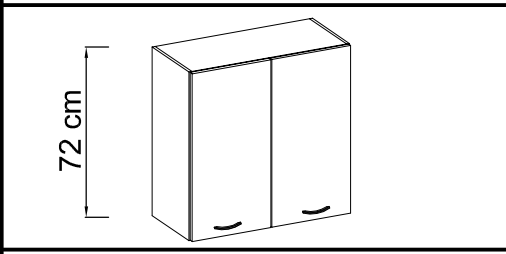
											
8	8	1	2	4	10-15	4	4	8	4	2	2

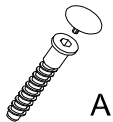
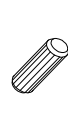






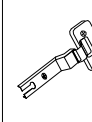
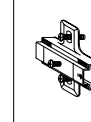

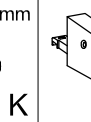



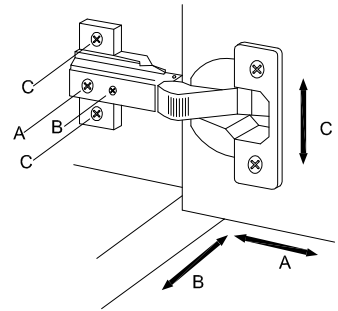
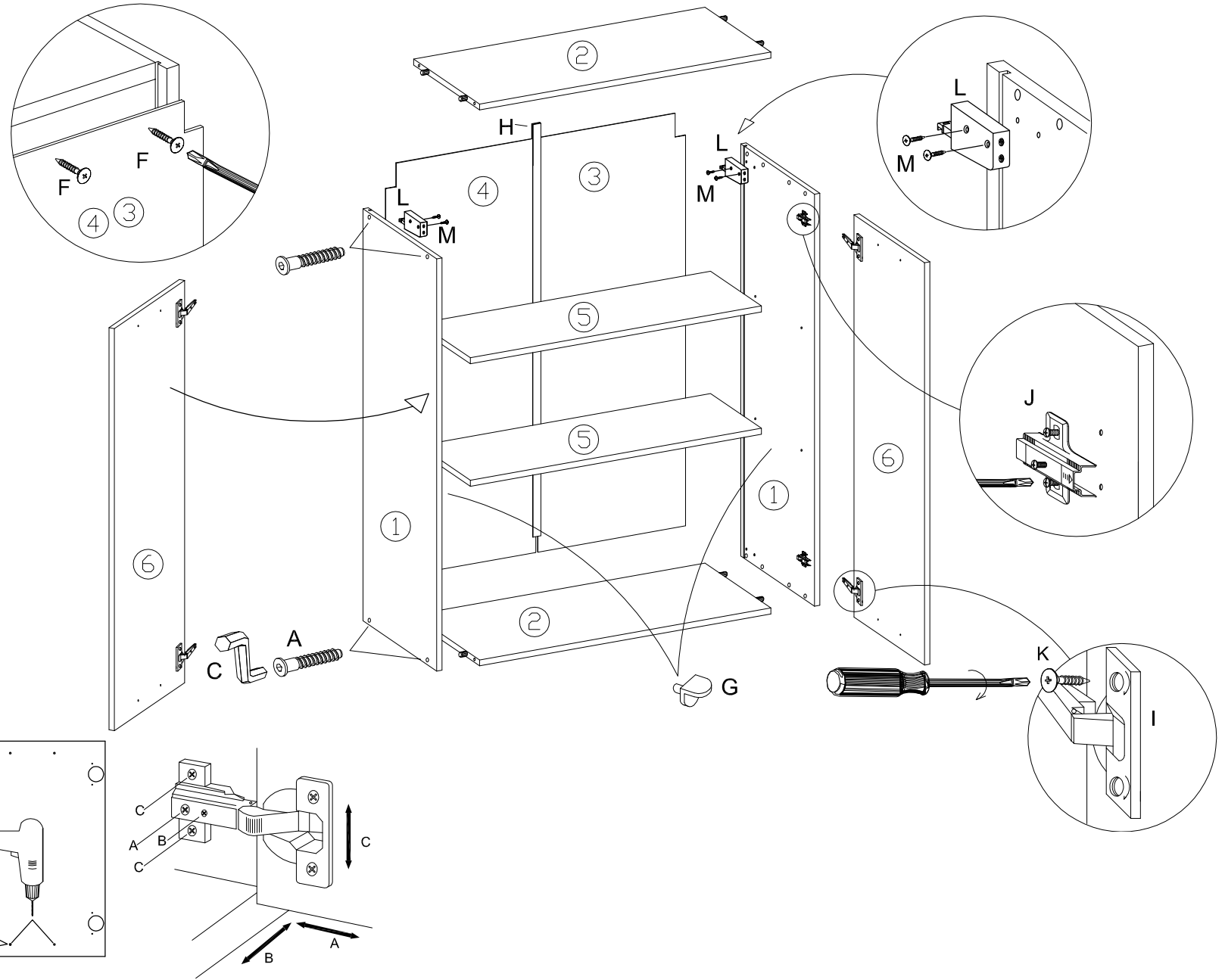
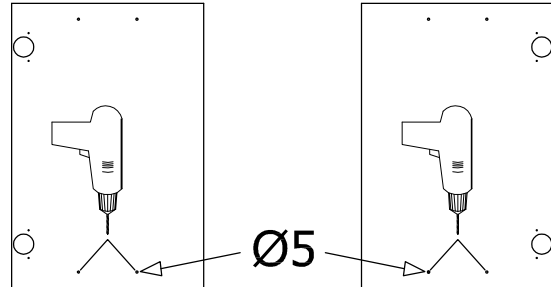
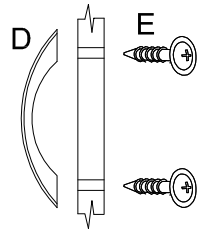
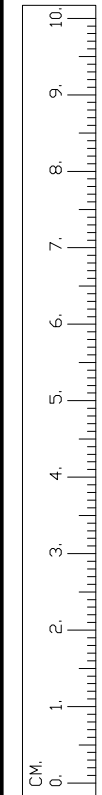
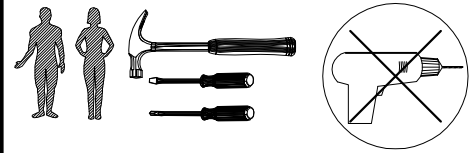
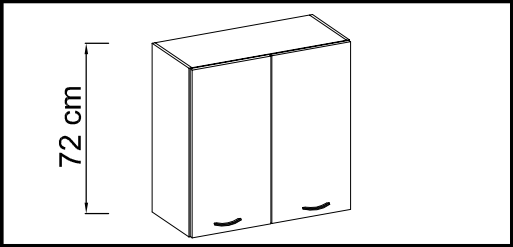
											
8	8	1	1	Ø4.0x30mm 2	Ø3.0x20mm 10-15	8	2	2	Ø3.5x13mm 4	2	Ø4.0x30mm 4

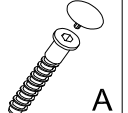
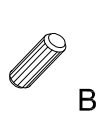
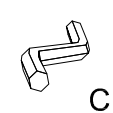


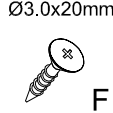

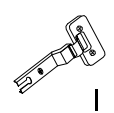
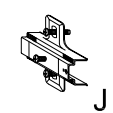

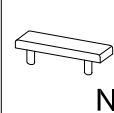
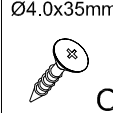

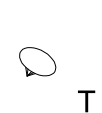

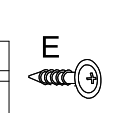




											
A	B	C	D	E	F	G	I	J	K	L	M
8	8	1	2	4	10-15	8	4	4	8	2	4



												
A	B	C	D	E	F	G	H	I	J	K	L	M
8	8	1	2	4	10-15	8	1	4	4	8	2	4



 A	 B	 C	 D	 Ø4.0x30mm E	 Ø3.0x20mm F	 G	 I	 J	 Ø3.5x13mm K	 N	 Ø4.0x35mm O
8	8	1	2	4	15-20	4	4	4	8	4	4
 S Ø4.0x45mm		 T		 D		 E		 K		 O	
2	2										

